


INFORMAL QUOTE ITEM SCHEDULE

Reuse 700 HP Electric Motor

Business Name: Kaman Industrial Technologies Name of Authorized Representative: Franco Rios

Title: Account Manager

SIGNATURE of Authorized Representative:  Date: Jan 13, 2020

[An authorized representative of the Business shall sign this form in the space provided. An unsigned quote may be disqualified.]

ADDRESS: 882 Freeport Blvd CITY: Sparks STATE: NV ZIP: 89431

Telephone Number(s): Office Number: (775) 358-0215 Facsimile Number: (775) 358-0535

Is Business a Corporation? [] YES [] NO

Federal Tax Identification Number # 06-0914709

City of Sparks Business License No. (Required if awarded): S052694A-LIC

ONE (1) COMPLETE ORIGINAL OF THE INFORMAL QUOTE SCHEDULE and ANY ADDENDUM(s) MUST BE EMAILED, FAXED or HAND DELIVERED to:

Truckee Meadows Water Reclamation Facility

8500 Clean Water Way, Reno Nevada. 89502

BY 2:00 P.M. on January 13, 2020

Attn: Kim Laber

(775) 861-4125 PHONE, (775) 861-4115 FAX, EMAIL: klaber@cityofsparks.us

RFP's must be emailed to Kim Laber at: klaber@cityofsparks.us. No later than January 17, 2020.

Truckee Meadows Water Reclamation Facility is currently soliciting quotes to supply a 700 HP electric motor. The motor must be a US Motors brand and must meet all the following specifications, exceptions must be approved thru an addendum to the informal quote:

See attached motor specifications

See attached motor drawing

Force account: \$1000.00

Electric motor including shipping: \$ 55,587.00

TOTAL including motor, shipping and force account: \$ 56,587.00

WRITTEN informal quote amount including motor, shipping and force account:

Informal quote must be valid for 90 days as this may need to go to Sparks city council for final approval.

Business Name: Kaman Industrial Technologies

Name of authorized representative: Franco Rios

Signature of authorized representative: 

Date: Jan 13, 2020



U.S. ELECTRICAL MOTORS
 DIVISION OF EMERSON ELECTRIC CO.
 8100 WEST FLORISSANT AVE.
 P.O. BOX 3946 * BLDG. K * ST. LOUIS, MO 63136
 FAX (314) 553-1101



DATE: 12/3/02

P.O. NO.: D00128664
 USEM
 Order/Line NO.: 2129843 SO 100

TO: Sterling Fluid Systems
 PO Box 7026
 Indianapolis, IN, 46206
 ATTN: PAT GLADISH

PO: D00128664 FOR: 597816-01

Model Number: NA
 Catalog Number: NA
 Titan VHS Weather Protected
 CONF,MOTOR,TITAN VHS WPI

REVISIONS:
 (NONE)

MARKS: PN:597816-01 FOR: 597816VO

ALL DOCUMENTS HEREIN ARE CONSIDERED CERTIFIED BY US ELECTRICAL MOTORS.
 THANK YOU FOR YOUR ORDER AND THE OPPORTUNITY TO SERVE YOU.

Features:

Horsepower 00700.00~00000.00 - KW: 522.2
 Enclosure WPI
 Poles 06~00 ~ RPM: 1200~0
 Frame Size 5012~PA
 Phase/Frequency/Voltage.. 3~060~4160 - Form Wound
 Service Factor 1.15
 Insulation Class Class "F" - Insulife 5000
 Altitude In Feet (Max) .. 5000 Ft.
 Ambient In Degree C (Max) +40 C
 Efficiency Class Premium Efficiency
 Application Centrifugal Pump
 Customer Part Number 597816-01
 Base Diameter (Inches) 30.5
 Coupling Size 2-7/16" Bore, 5/8" Key
 NRR/SRC/Bolted Coupling Non-Reverse Ratchet
 Steady Bushing Steady Bushing Not Requested
 Pricebook Thrust Value (lbs).. 11900
 Customer Down Thrust (lbs) ... 18000
 Customer Shutoff Thrust (lbs).
 Up Thrust (lbs)
 Temperature Rise (Sine Wave): "B" Rise @ 1.0 SF (Resist)
 Starting Method Direct-On-Line Start
 Duty Cycle Continuous Duty
 Efficiency Value 94.5 % ~ Typical
 Power Factor (Uncorrected): 85.0 %
 Load Inertia (lb-ft²): NEMA - NEMA Inertia: 6903.00 - 1.00
 Number Of Starts Per Hour: NEMA
 Motor Type Code RUE.
 Rotor Inertia (LB-FT²) 253. LB-FT²
 Quantity of Bearings PE 1
 Quantity of Bearings SE 1
 Bearing Number PE 29428-EJ
 Bearing Number SE 6219-J/C3



U.S. ELECTRICAL MOTORS
 DIVISION OF EMERSON ELECTRIC CO.
 8100 WEST FLORISSANT AVE.
 P.O. BOX 3946 * BLDG. K * ST. LOUIS, MO 63136
 FAX (314) 553-1101



DATE: 12/3/02

P.O. NO.: D00128664
USEM
Order/Line NO.: 2129843 SO 100

TO: Sterling Fluid Systems
 PO Box 7026
 Indianapolis, IN, 46206
ATTN: PAT GLADISH

PO: D00128664 FOR: 597816-01

Model Number: NA
Catalog Number: NA
 Titan VHS Weather Protected
 CONF,MOTOR,TITAN VHS WPI

REVISIONS:
 (NONE)

MARKS: PN:597816-01 FOR: 597816VO

**ALL DOCUMENTS HEREIN ARE CONSIDERED CERTIFIED BY US ELECTRICAL MOTORS.
 THANK YOU FOR YOUR ORDER AND THE OPPORTUNITY TO SERVE YOU.**

Accessories:

- 44,000 Hours L-10 Bearing Life
- Corro-Duty Paint Job
- Counter CW Rotation FODE
- 300% Extra High Thrust
- Ground Lug In Conduit Box
- Grounding Pad On Frame
- Insul. Bearing - Upper Bracket
- 115 Volt Space Heaters
- Bearing RTD-120 Ohm,3 Lead
- Both Bearings
- Therma-Sentry 115V MMSE
- Q-1 Accessory Outlet Box ~ Same Side As Main O/B
- 1.5" NPT Conduit Opening
- Test Requirements:
- Complete Initial Test-Unwit.
- Vibration Test-Unwit. (IPS)

USE THE DATA PROVIDED BELOW TO SELECT THE APPROPRIATE DIMENSION PRINT

Horsepower	700
Pole(s)	06
Voltage(s)	4160
Frame Size	5012PA
Outlet Box AF	10.94
Outlet Box AA	3.50
Accessory Outlet Box DM	1.5

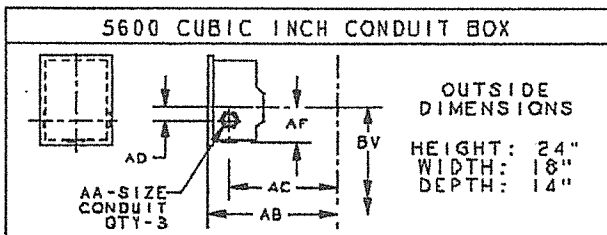
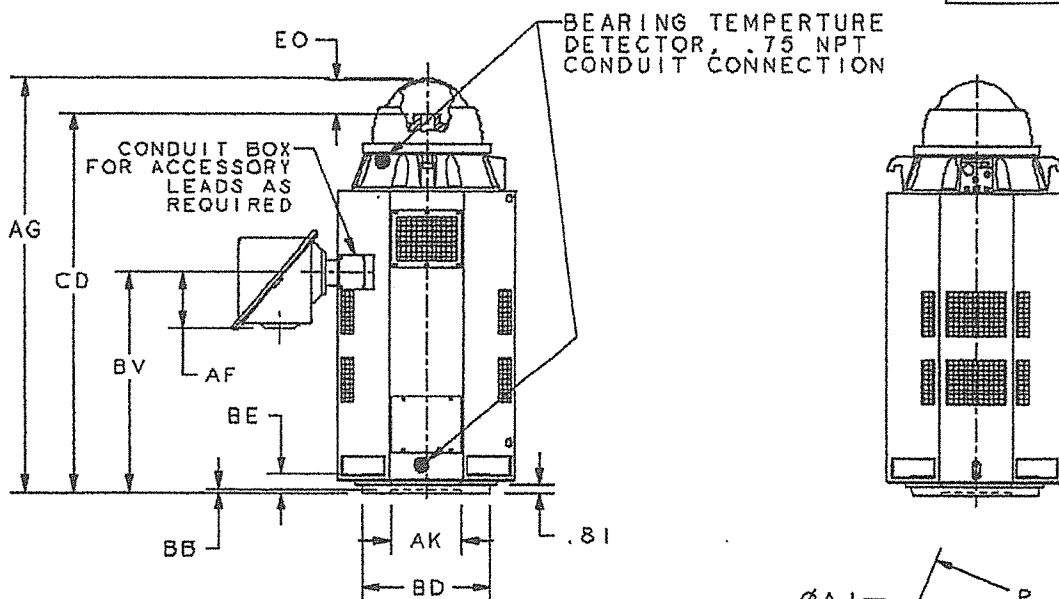
VERTICAL MOTORS

WEATHER PROTECTED TYPE I
 FRAME: 5000PH, 3, PA
 TYPE: RU

09-2265-01

EFFECTIVE: 16-OCT-02
 SUPERSEDES: 11-APR-02

SHEET 1 OF 1

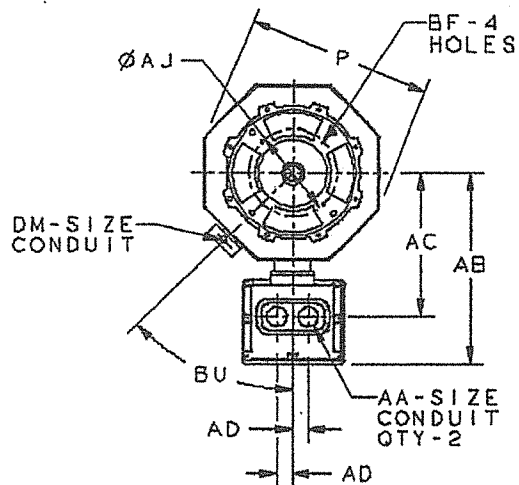


TOLERANCES	
FACE RUNOUT	.007 F.I.R.
PERMISSIBLE ECCENTRICITY OF MOUNTING RABBIT	.007 F.I.R.
MAXIMUM SHAFT END PLAY	.010

FRAME	BD MAX	BE	AJ	BF	AK +.005	BB MIN
5000PH	20.00	2.19	14.750	.68	13.500	.25
5000P ³	24.50		14.750	.68	13.500	
5000PA	30.50		22.000	.94	22.000	
			26.000	.81		

FRAME	HP	VOLTS	C/BOX VOLUME (CU. IN.)	AA	AB	AC	AD	AF	BU	DM
5000	ALL	0-4800	3400	35NPT	36.50	27.88	3.00	10.94	45°	1/2 NPT
	ALL	4801-6900	5600		36.13	30.13	4.00	10.81		3/4 NPT

FRAME	P	AG	BV	CD	EO
5008	36.42	63.84	27.00	57.06	6.42
5012		78.84	42.00	72.30	



- DIMENSIONS MAY VARY .25" DUE TO CASTING AND/OR FABRICATION VARIATIONS.
- DIMENSIONS AND TOLERANCES ARE SHOWN IN INCHES.
- 5000P HAS TWO BOLT CIRCLES.

1 NPT
1-1/4 NPT
1-1/2 NPT
2 NPT
2-1/2 NPT
3 NPT
3-1/2 NPT

09-2265



U.S. ELECTRICAL MOTORS
 DIVISION OF EMERSON ELECTRIC CO.



DO NOT USE FOR CONSTRUCTION PURPOSES UNLESS CERTIFIED

NAMEPLATE DATA

CATALOG NUMBER: _____		NAMEPLATE PART #: 422705-006	
MODEL _____	FR 5012PA	TYPE RUE	ENCL WPI
SHAFT END BRG 6219-J/C3 - QTY 1		OPP END BRG 29428-EJ - QTY 1	
PH 3	MAX AMB 40 C	ID# (ref: Order#: 2129843, Type: SO, Line#: 100)	
INSUL CLASS F	Asm. Pos. _____	DUTY CONT	
HP 700	RPM 1180	HP _____	RPM _____
VOLTS 4160		VOLTS _____	
FL AMPS 90.0		FL AMPS _____	
SF AMPS 103.0		SF AMPS _____	
SF 1.15	DESIGN #	CODE G	
NEMA NOM EFFICIENCY 94.5	NOM PF 85.0	KiloWatt 522.2	
GUARANTEED EFFICIENCY 93.6	MAX KVAR 199.7	HZ 60	

UL DATA (IF APPLICABLE):

DIVISION _____	CLASS I _____	GROUP I _____
TEMP CODE _____	CLASS II _____	GROUP II _____

VFD DATA (IF APPLICABLE):

VOLTS _____	
AMPS _____	
TORQUE 1 _____	TORQUE 2 _____
VFD LOAD TYPE 1 _____	VFD LOAD TYPE 2 _____
VFD HERTZ RANGE 1 _____	VFD HERTZ RANGE 2 _____
VFD SPEED RANGE 1 _____	VFD SPEED RANGE 2 _____
SERVICE FACTOR _____	FL SLIP _____
NO. POLES _____	MAGNETIZING AMPS _____
VECTOR MAX RPM _____	Encoder PPR _____
Radians / Seconds _____	Encoder Volts _____

TEAO DATA (IF APPLICABLE):

HP (AIR OVER) _____	HP (AIR OVER M/S) _____	RPM (AIR OVER) _____	RPM (AIR OVER M/S) _____
FPM AIR VELOCITY _____	FPM AIR VELOCITY M/S _____	FPM AIR VELOCITY SEC _____	

ADDITIONAL NAMEPLATE DATA:

Decal / Plate	WD=499495	Customer PN	597816-01
Notes		Non Rev Ratchet	NRR
Max Temp Rise	80C RISE/RES@1.00SF	OPP/Upper Oil Cap	30 QT/28.4 L
Thermal (WDG)	OVER TEMP PROT 2	SHAFT/Lower Oil Cap	GREASE
Altitude	5000 FASL		
EPACT Note		EPACT Compliance	
COS		Marine Duty	
Balance	0.08 IN/SEC	Arctic Duty	
3/4 Load Eff.	95.5	Inrush Limit	
Motor Weight	4600	Direction of Rotation	
Sound Level		Special Note 1	
Vertical Thrust	18000	Special Note 2	
Thrust Percentage	300% EHT	Special Note 3	
Bearing Life	44K	Special Note 4	
Starting Method		Special Note 5	
Number of Starts		Special Note 6	
200/208V 60Hz Max Amps		SH Max. Temp.	
190V 50 hz Max Amps		SH Voltage	SH VOLTS=115V
380V 50 Hz Max Amps		SH Watts	SH WATTS=384W
NEMA Inertia		Load Inertia	
Sumpheater Voltage		Sumpheater Wattage	
Special Accessory Note 1	BEARING SET POINTS	Special Accessory Note 16	
Special Accessory Note 2	ALARM= 90C	Special Accessory Note 17	
Special Accessory Note 3	SHUTDOWN= 100C	Special Accessory Note 18	
Special Accessory Note 4		Special Accessory Note 19	
Special Accessory Note 5		Special Accessory Note 20	
Special Accessory Note 6		Special Accessory Note 21	
Special Accessory Note 7		Special Accessory Note 22	
Special Accessory Note 8	PHASE SEQUENCE - CCW	Special Accessory Note 23	
Special Accessory Note 9	#1,#2,#3 TO A,B,C	Special Accessory Note 24	
Special Accessory Note 10	LOOKING DOWN ON VERT	Special Accessory Note 25	
Special Accessory Note 11	MOTORS OR OPP SHAFT	Special Accessory Note 26	
Special Accessory Note 12	END ON HORZ MOTORS	Special Accessory Note 27	
Special Accessory Note 13		Special Accessory Note 28	
Special Accessory Note 14		Special Accessory Note 29	
Special Accessory Note 15		Special Accessory Note 30	



U.S. ELECTRICAL MOTORS
 DIVISION OF EMERSON ELECTRIC COMPANY
 ST. LOUIS, MO



TYPICAL NAMEPLATE DATA
 ACTUAL MOTOR NAMEPLATE LAYOUT MAY VARY
 SOME FIELDS MAY BE OMITTED

MOTOR PERFORMANCE

MODEL NO.	CATALOG NO.	PHASE	TYPE	FRAME
NA	NA	3	RUE	5012PA

ORDER NO.	2129843	LINE NO.	100
-----------	---------	----------	-----

MPI:	75719
HP:	700
POLES:	6
VOLTS:	4160
HZ:	60
SERVICE FACTOR:	1.15
EFFICIENCY (%):	
S.F.	94.1
FULL	94.5
3/4	95.5
1/2	95.4
1/4	93.4
POWER FACTOR (%):	
S.F.	85.8
FULL	85
3/4	81.3
1/2	72.7
1/4	50.6
NO LOAD	2.8
LOCKED ROTOR	23.5
AMPS:	
S.F.	103
FULL	90
3/4	70
1/2	52
1/4	38
NO LOAD	32.6
LOCKED ROTOR	600
NEMA CODE LETTER	G
NEMA DESIGN LETTER	#
FULL LOAD RPM	1180
NEMA NOMINAL EFFICIENCY (%)	94.5
GUARANTEED EFFICIENCY (%)	93.6
MAX KVAR	199.7
AMBIENT (°C)	40
ALTITUDE (FASL)	5000
SAFE STALL TIME-HOT (SEC)	15
SOUND PRESSURE (DBA @ 1M)	76
TORQUES:	
BREAKDOWN(% F.L.)	175
LOCKED ROTOR(% F.L.)	70
FULL LOAD(LB-FT)	3117.4

The Above Data Is Typical, Sinewave Power Unless Noted Otherwise



U.S. ELECTRICAL MOTORS
DIVISION OF EMERSON ELECTRIC COMPANY
ST. LOUIS, MO



Informal Quote Bid Tabulation

TMWRF Reuse 700 HP Electric Motor

1/13/2020

Kaman Industrial Technologies: \$56,587.00

Reed Electric: \$56,925.00

Applied Industrial: No response